

250W 0-10 Dimming power supply



Features

- Class II, SELV, Independent
- Input Voltage 220-240VAC
- Protections: SCP/OLP/OTP
- Power Factor: 0.95(Typ.)
- Efficiency: $\geq 91\%$ (Typ.)
- 5 years warranty
- Support 0-10V,RX,PWM Dimming

Applications

- LED strips

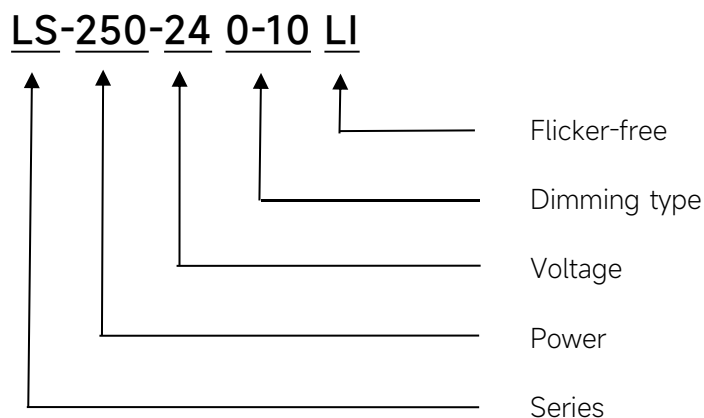
■ Approve



◆ Description

LS-250-24 0-10 LI is a 250W constant voltage LED driver that operates from 198-264Vac input with 24V output voltage. With its compact dimensions from 431 x 45 x 30.5mm. It is easy to integrate in LED strips products. To ensure trouble-free operation, protection is provided against output short circuit, over load and over temperature.

◆ Model code



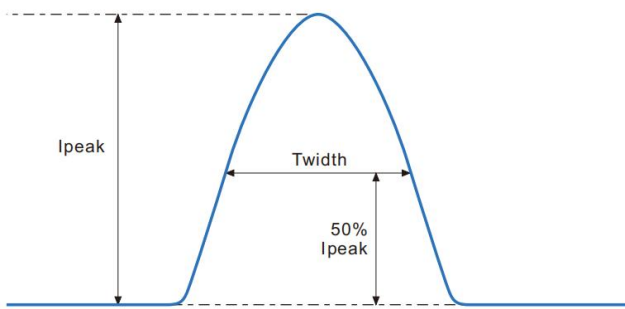
◆ Specification

Output	Constant Voltage	24VDC
	Current Range	0-10.42A
	Voltage Accuracy	±5%
	Output HF voltage ripple(≥1KHz)	±1%
	Output LF voltage ripple(≤120Hz)	±1%
	SVM	≤0.4@Full Load
	P _{st}	≤1@Full Load
	Efficiency(Typ.)	≥91%@220-240VAC, Full load
	EOFI	15%
Input	Rated input voltage	220-240VAC
	Range of input voltage	198-264VAC
	Rated input voltage(DC)	176-280VDC
	Frequency(Hz)	0/50/60 Hz
	Displacement factor	≥0.9
	Power Factor	>0.95@Full Load,230V
	Input Current max	1.5A MAX. @Full Load,198VAC
	Start-up time	< 0.5S
	Standby Power	≤0.5W
	Network standby power	≤0.5W
	THD (Typ.)	< 10% @220-240VAC, Full load
Dimming	Dimming	YES
	Dimming mode	0-10V,RX,PWM Dimming
	Dimming depth	1%
	Dimming current range	1-100%
	Dimming frequency	20KHz-3KHz Frequency variation
Protection	Over Load Protection	105-150% rated output power YES/Auto Resume
	Short circuit Protection	YES/Auto Resume
	Over Temperature Protection	YES/Auto Resume
Capability	Surge capability (L-N)	2KV
	Surge capability (L/N-Ground)	NA
Withstand voltage	Input-Output	3750V/5mA/60S
Environment	Operating Temperature	-20°C...+45°C
	Humidity	20%-90%RH
	T _c	85°C
	Storage Temperature	-20°C...+85°C
	Noise	≤25dB(A)@20cm

	Life time	≥50000h@Tc=80°C,230VAC,full load
Surface	Dimension	431 x 45 x 30.5(LXWXH)mm
	material	PC
Standards	IEC61347- 1, IEC61347-2- 13;EN61347- 1, EN61347-2- 13;EN61347- 1;EN61347-2- 13, EN62384;EN55015	
Others	ErP	EU 2019/2020
	RoHS	RoHS (2011/65/EU) (EU)2015/863
Note	1.All parameters NOT specially mentioned are measured at 230VAC input , full load and 25°C of ambient temperature. 2.Ripple & Noise are measured at 20MHz of bandwidth by using a 300mm twisted pair-wire terminated with a 0.1uF & 47 uF parallel capacitor. 3.The DC input for this product is only used for emergency lighting and applies to functional and safety requirements, EMC is not considered.	

◆ Inrush Current

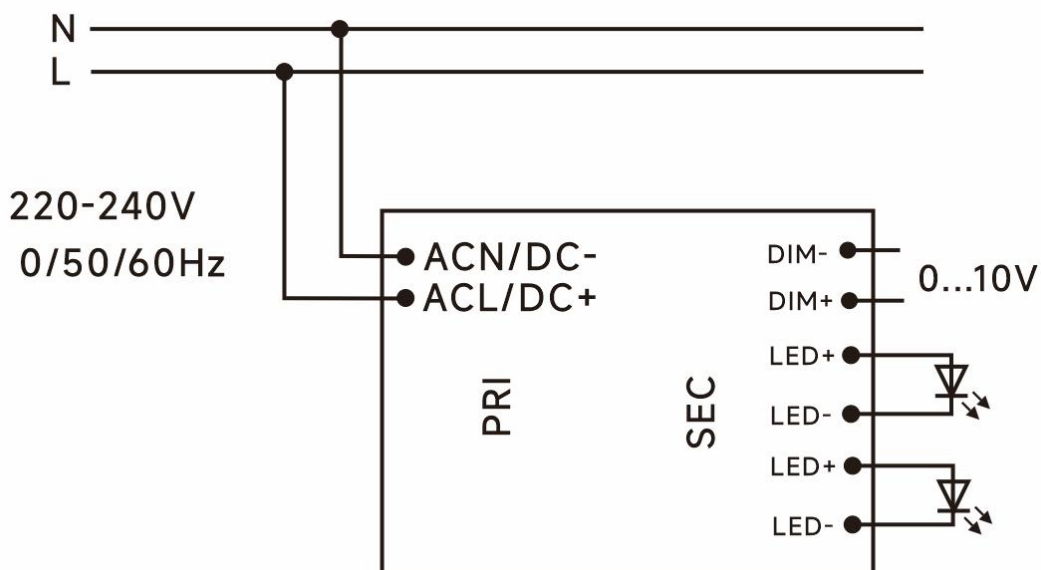
I _{peak}	T _{width}	B10	B16	B20	C10	C16	C20
48A	752μs	2pcs	3pcs	4pcs	3pcs	5pcs	6pcs



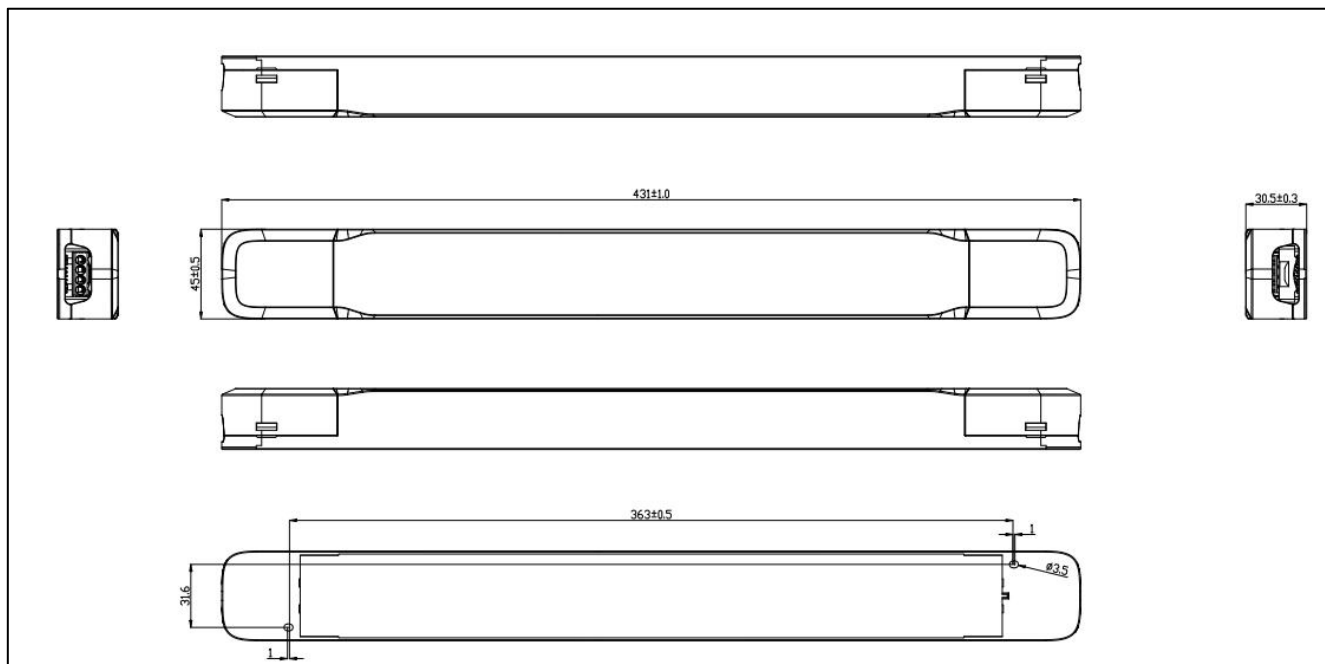
Remarks:

- 1.The number of drives mounted under different MCBs in the table is the maximum value. Please do not exceed this number during installation.
- 2.Different brands and models of miniature circuit breakers, the number of drives mounted will be slightly different.

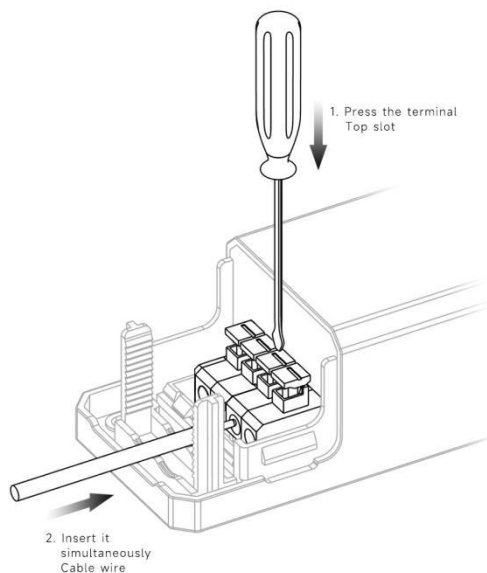
◆ Wiring diagram



◆ 2D diagram



Terminal



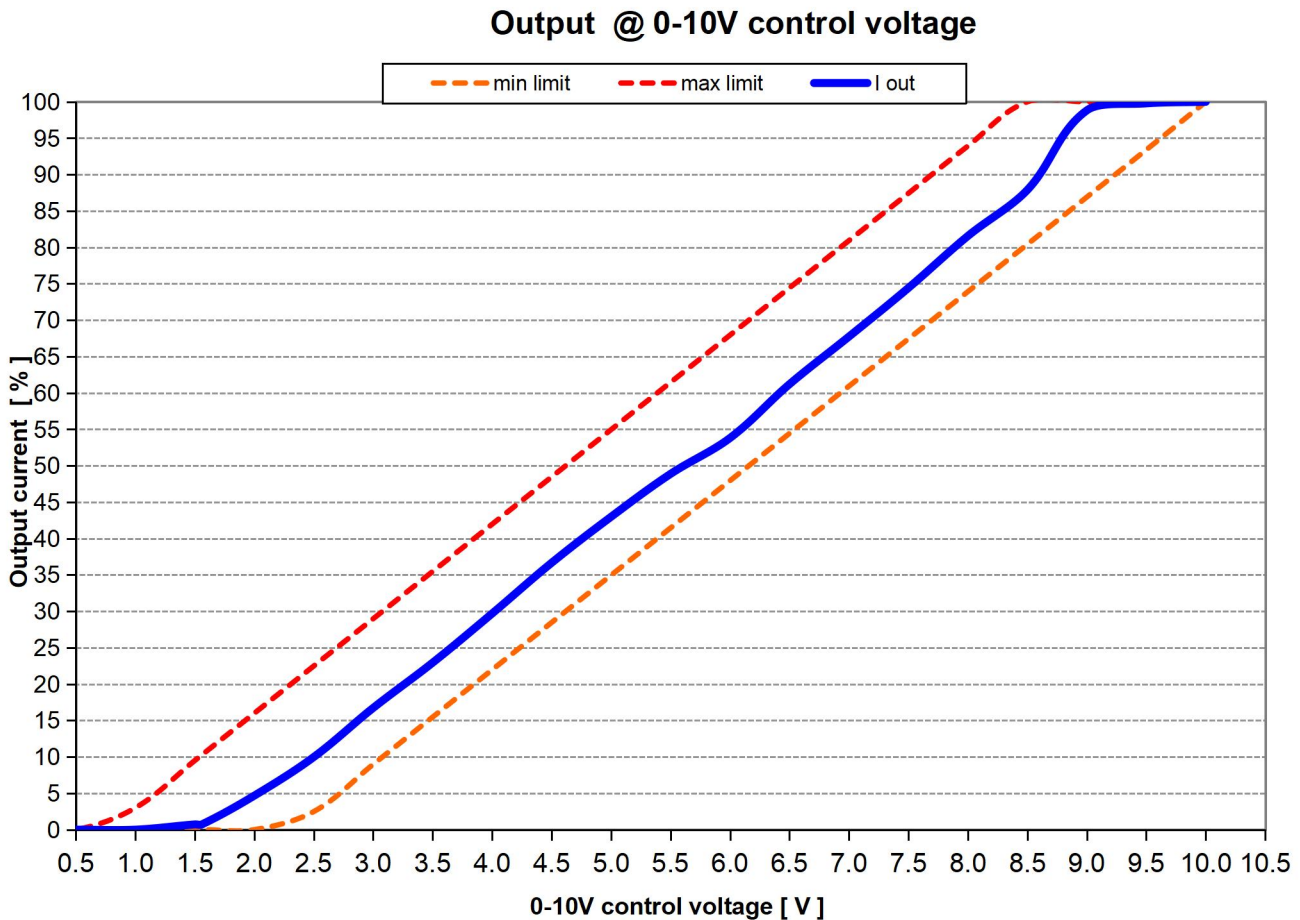
◆ Wiring & Connections

Specification item		Value (Unit)
Input	Input wire cross-section	0.5...1.5 mm ²
	Input wire gauge.	16...20 AWG
	Input wire strip length	7...9mm
Output	Output wire cross-section	1.0...2.5 mm ²
	Output wire gauge.	14...18AWG
	Output wire strip length	7...9mm

◆ Packaging

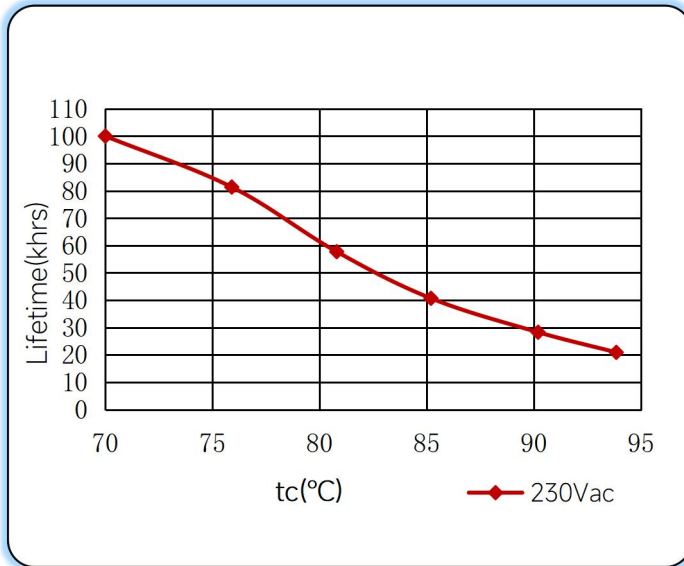
Model	Product Dimensions(mm)	weight/piece(Kg)	Outer carton dimension(mm)	Quantity/carton	Net weight/carton(Kg)	Gross weight/carton(Kg)
LS-250-24 0-10 LI	431 x 45 x 30.5	0.74	470 x 375 x 210	24	17.76	19.53

◆ Dimming curve

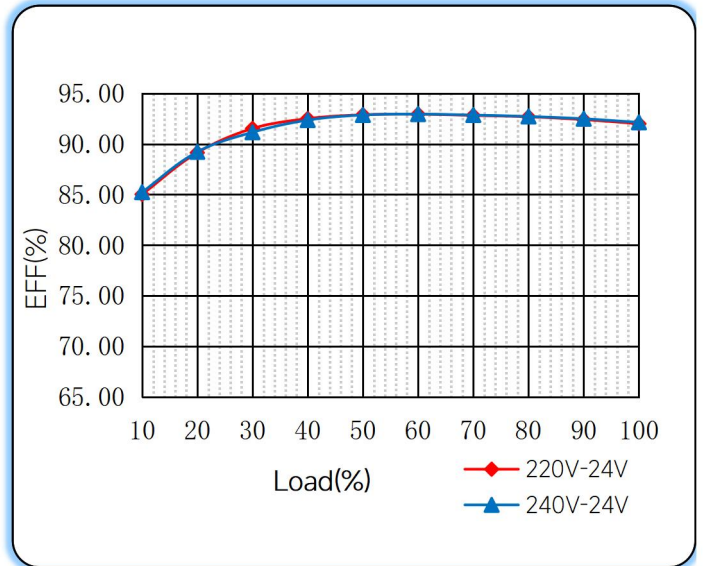


◆ **Curve for LS-250-24 0-10 LI**

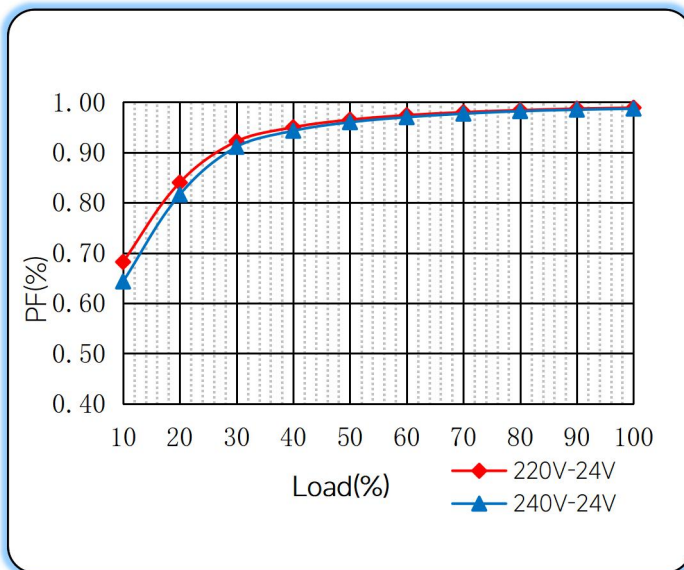
Lifetime vs. Temperature Curve



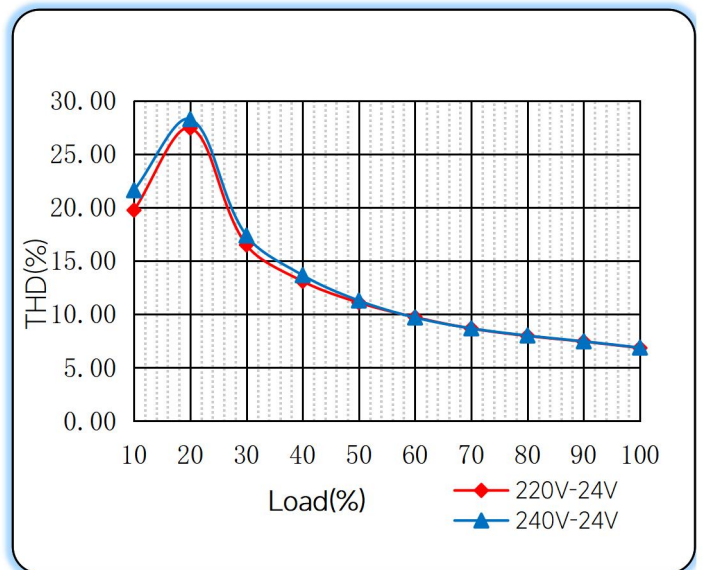
Efficiency vs. Load



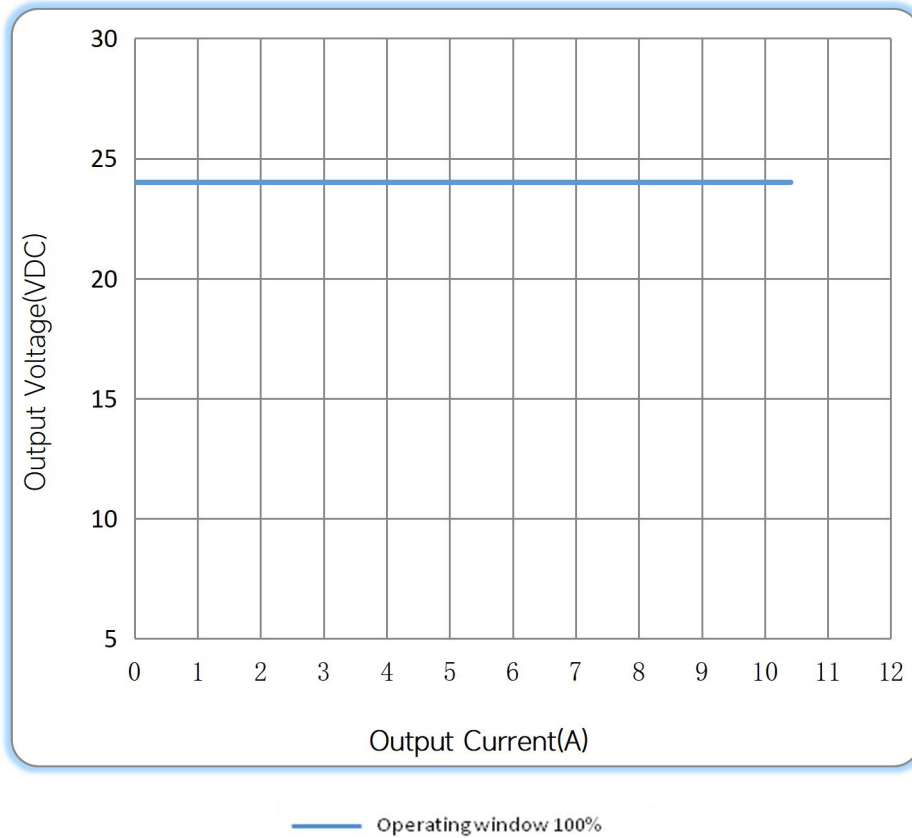
Power Factor Characteristics



THD vs. Load



◆ Operating window



◆ Revision Updates

ITEM	BEFORE	AFTER	VERSION	DATE
Initial			A	2025/09/15
TC	90°C	85°C	B	2026/01/07

Tel: +86-0757-86256822, +86-0757-86256831

E-mail: sales@eaglerise.com

Website : <https://lighting.eaglerise.com>



EAGLERISE



Manual